

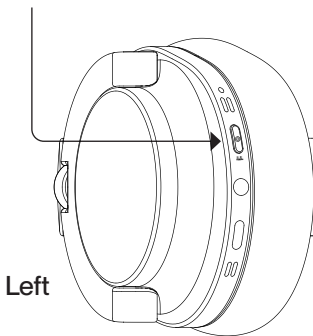


a California audio company

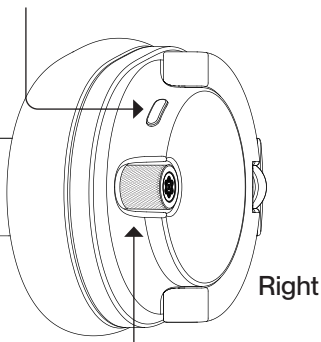
QUICK START GUIDE

daisy^{one}

Hold for Power & Bluetooth Pairing



Press to switch between Noise Cancellation & Transparency
Hold to enter/exit Still Mode



Rotate for volume control
Click to pause/play/answer call
Double Click to skip to next song or Still Mode track

daisy^{one}

1. Power & Bluetooth
2. Volume & Dial Controls
3. Noise Cancellation & Transparency
4. Still Mode
5. Daisy App
6. Contact & Certifications

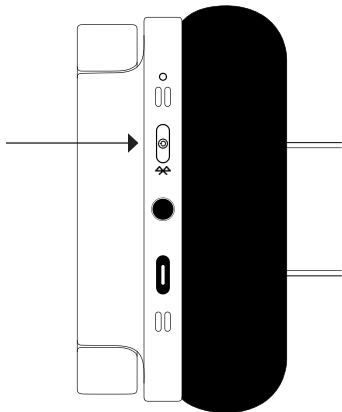
POWER & BLUETOOTH

Power Button

Turn On/Off: Hold power button for 1.5 seconds

First Use: Headphones automatically enter pairing mode. Choose "Daisy One" in your phone or computer's Bluetooth settings.

Pair Additional Devices: Hold power button for 3 seconds until the light flashes blue. Choose "Daisy One" in Bluetooth settings.



VOLUME & PLAYBACK

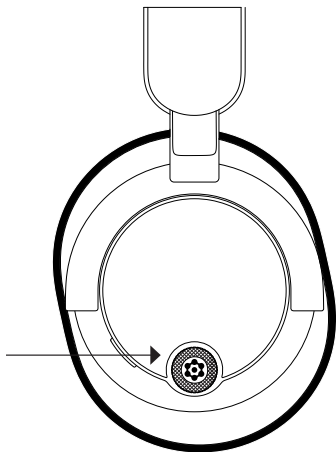
Daisy Dial

Volume Control: Rotate dial to increase or decrease volume

Play/Pause: Click dial to play or pause current track

Next Track: Double click dial to skip to next track

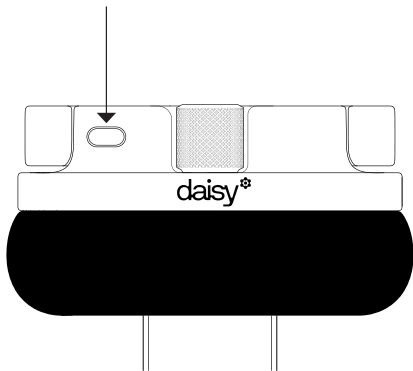
Previous Track: Triple click dial to play previous track



NOISE CANCELLATION & TRANSPARENCY

Environment Button

Noise Cancellation/Transparency: Press the environment button to switch between Noise Cancellation and Transparency. To deactivate noise cancellation open the Daisy mobile app and select "off" setting on homescreen.



STILL MODE:

Built in Ambient Soundscapes to Focus & Relax

Still Mode: is an embedded listening experience designed for focus, calm, and restoration - no phone or Bluetooth required. Each soundscape is recorded in California, then carefully mixed and mastered with proprietary frequencies that support presence and clarity. The sounds live directly inside the headphones, creating a quiet, intentional space free from notifications, screens, and outside noise.

Tracklist:

1. **Rainfall:** Muir Woods
2. **Brown Noise:** Yosemite Falls
3. **432hz Forest:** Big Sur
4. **Ocean Tides:** Channel Islands
5. **5 Minute Breathwork:** Joshua Tree

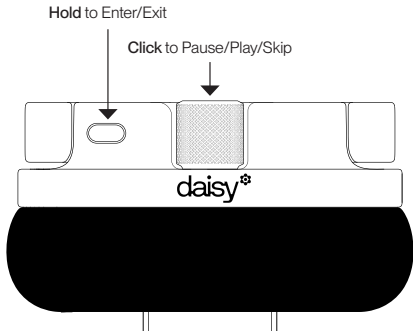
STILL MODE:

Controls

Enter/Exit Still Mode: Hold the environment button until you hear a tone. The headphone LED will glow lavender while Still Mode is on.

Pause/Play Still Mode: Click the dial to pause or play the current track

Next Track: Double click the dial to skip to the next Still mode track.



DAISY APP:

Custom Equalization and Additional Controls

Download the Daisy mobile app to create custom EQ settings aligned with your own listening taste. Update with new firmware releases for the best sound experience.



product: daisy one
model number: #001

Daisy Audio Inc.
500 N Central Ave
Suite 600
Glendale, CA 91203
support@daisysound.com

product frequency bands: 2.402-2.480GHz
maximum output power: EIRP: 9.54dBm(EU)

FCC ID: 2BUGL001
IC: 35050-001

Daisy one supports Bluetooth and Bluetooth is turned on by default when the headphones are turned on.

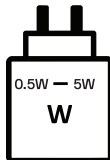
BLE and SPP are enabled by default for remote control functions provided by client app connections.

The microphone is used to achieve call recording and voice assistant recording functions.

european importer:
Yelloroo Europe BV
Boekweitstraat 1B
2153 GK Nieuw-Vennep
The Netherlands

united kingdom importer:
YELLOROO LTD
C/O THE3PL
Unit 12 Wheelbarrow Park Estate
Pattenden Lane
Marden
TN12 9QJ

Additional regulatory information placed on product underneath the removable magnetic ear cushions. To remove firmly grasp cushion and pull away from the product.



Battery warning:

- Replacement of a battery with an incorrect type that can defeat a safeguard (for example, in the case of some lithium battery types);
- Disposal of a battery into fire or a hot oven, or mechanically crushing or cutting of a battery, that can result in an explosion;
- Leaving a battery in an extremely high temperature surrounding environment that can result in an explosion or the leakage of flammable liquid or gas;
- A battery subjected to extremely low air pressure that may result in an explosion or the leakage of flammable liquid or gas.

FCC Regulatory Compliance:

This device complies with Part 15 of the FCC Rules. Operation is subject to the following two conditions: (1) this device may not cause harmful interference, and (2) this device must accept any interference received, including interference that may cause undesired operation. Changes or modifications not expressly approved by the party responsible for compliance could void the user's authority to operate the equipment.

This equipment has been tested and found to comply with the limits for a Class B digital device, pursuant to Part 15 of the FCC Rules. These limits are designed to provide reasonable protection against harmful interference in a residential installation. This equipment generates, uses and can radiate radio frequency energy and, if not installed and used in accordance with the instructions, may cause harmful interference to radio communications. However, there is no guarantee that interference will not occur in a particular installation.

If this equipment does cause harmful interference to radio or television reception, which can be determined by turning the equipment off and on, the user is encouraged to try to correct the interference by one or more of the following measures:

- Reorient or relocate the receiving antenna.
- Increase the separation between the equipment and receiver.
- Connect the equipment into an outlet on a circuit different from that to which the receiver is connected.
- Consult the dealer or an experienced radio/TV technician for help.

FCC 15.9

This device complies with Part 15 of the FCC Rules. Operation is subject to the following two conditions: (1) this device may not cause harmful interference, and (2) this device must accept any interference received, including interference that may cause undesired operation.

FCC SAR Statement

This equipment complies with FCC radiation exposure limits set forth for an uncontrolled environment. End user must follow the specific operating instructions for satisfying RF exposure compliance. This transmitter must not be co-located or operating in conjunction with any other antenna or transmitter.

The portable device is designed to meet the requirements for exposure to radio waves established by the Federal Communications Commission (USA). These requirements set a SAR limit of 1.6 W/kg averaged over one gram of tissue. The highest SAR value reported under this standard during product certification for use when properly worn on the head.

The portable device is designed to meet the requirements for exposure to radio waves established by the Federal Communications Commission (USA). These requirements set a SAR limit of 4 W/kg averaged per ten gram of tissue. The highest SAR value reported under this standard during product certification for use when properly worn on the extremity.

ISED Compliance Statement

This device contains licence-exempt transmitter(s)/receiver(s) that comply with Innovation, Science and Economic Development Canada's licence-exempt RSS(s). Operation is subject to the following two conditions:

- (1) This device may not cause interference.
- (2) This device must accept any interference, including interference that may cause undesired operation of the device.

L'émetteur/récepteur exempt de licence contenu dans le présent appareil est conforme aux CNR d'Innovation, Sciences et Développement économique Canada applicables aux appareils radio exempts de licence. L'exploitation est autorisée aux deux conditions suivantes :

- (1) L'appareil ne doit pas produire de brouillage;
- (2) L'appareil doit accepter tout brouillage radioélectrique subi, même si le brouillage est susceptible d'en compromettre le fonctionnement.

IC SAR Statement

This equipment complies with ISED radiation exposure limits set forth for an uncontrolled environment. End user must follow the specific operating instructions for satisfying RF exposure compliance. This transmitter must not be co-located or operating in conjunction with any other antenna or transmitter.

The portable device is designed to meet the requirements for exposure to radio waves established by the ISED. These requirements set a SAR limit of 1.6 W/kg averaged over one gram of tissue. The highest SAR value reported under this standard during product certification for use when properly worn on the head.

The portable device is designed to meet the requirements for exposure to radio waves established by the ISED. These requirements set a SAR limit of 4 W/kg averaged per ten gram of tissue. The highest SAR value reported under this standard during product certification for use when properly worn on the limbs.

Cet équipement est conforme aux limites d'exposition aux rayonnements ISED établies pour un environnement non contrôlé. L'utilisateur final doit suivre les instructions spécifiques pour satisfaire les normes. Cet émetteur ne doit pas être co-implanté ou fonctionner en conjonction avec toute autre antenne ou transmetteur.

Le dispositif portable est conçu pour répondre aux exigences d'exposition aux ondes radio établie par le développement énergétique DURABLE. Ces exigences un SAR limitée de 1,6 W/kg en moyenne pour un gramme de tissu. La valeur SAR la plus élevée signalée en vertu de cette norme lors de la certification de produit à utiliser lorsqu'il est correctement porté sur le tête.

Le dispositif portable est conçu pour répondre aux exigences d'exposition aux ondes radio établie par le développement énergétique DURABLE. Ces exigences fixent une limite de DAS de 4 W/kg en moyenne pour dix grammes de tissu. Lors de la certification du produit, la valeur SAR la plus élevée rapportée conformément à cette norme lorsqu'elle est correctement portée sur les membres.

